



# 200 I Series

## Self-Contained Cubers & Storage Bin for Models 224 & 227



224 I Series Self-Contained Cuber and Storage Bin



227 I Series Self-Contained Cuber and Storage Bin

### Features

- Microban® antimicrobial product protection inhibits stain and odor causing bacteria, mold and mildew
- Environmentally safe Future Proof™ Refrigerant R-404a
- Non CFC foam insulation
- Extreme energy efficiency – low power consumption, low water usage and low total energy cost
- 224 has one piece roto molded cabinet
- 227 has stainless steel cabinet with polyethylene liner
- Compact design
- Low profile under counter design
- Serviceable from the front

Microban® is a registered trademark of the Microban Products Company, Huntersville, NC.



# 200 I Series

## Technical Specifications:

**Cube Size** 5/8" (16 mm) W x 7/8" (22 mm) H x 7/8" (22 mm) D

**Maximum Ice Harvest Rate per 24 hrs**

**224: Air:** 251 lb (114 kg) **Water:** 221 lb (100 kg)

**227: Air:** 326 lb (148 kg) **Water:** 330 lb (150 kg)

**Potable Water use per 100 lb (45 kg) of Ice**

**224: Air:** 25 gal (95 ltr) **Water:** 22 gal (88 ltr)

**227: 27 gal (102 ltr)**

**Condenser Water use per 100 lb (45 kg)**

**224: 195 gal (738 ltr)**

**227: 160 gal (606 ltr)**

**KWH Consumption per 100 lb (45 kg)**

**224: Air:** 10.6 **Water:** 10.5

**227: Air:** 9.8 **Water:** 7.6

**Ambient Temperature:** 50°F - 100°F (10°C - 38°C)

**Water Temperature:** 45°F - 90°F (7°C - 32°)

**Water Pressure:** 20 - 80 psi (138 - 552 kPa)

**Ice Storage Capacity**

**224: 77 lb (34.9 kg)**

**227: 100 lb (45 kg)**

**Maximum Fuse Size**

**224: 15**

**227: 20**

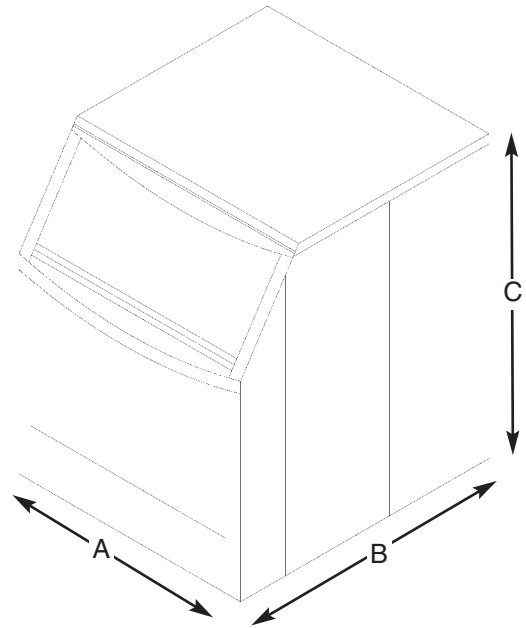
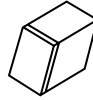
**Circuit Amp**

**224: 15**

**227: 20**

**Refrigerant Type:** R-404a

**Agency Listings:** Rated in accordance with ARI Standard 810-91 & 820-88



### Dimensions

	A	B	C
224	24" (61 cm)	24" (61 cm)	33" (84 cm)
227	27" (69 cm)	28" (71 cm)	33" (84 cm)

Note: If legs are installed, height increases 6" (15 cm).



AIR TEMPERATURE	WATER TEMPERATURE		
	50°F (10°C)	70°F (21°C)	80°F (27°C)
50°F (10°C)	251 lb (114 kg)	226 lb (103 kg)	214 lb (97 kg)
70°F (21°C)	226 lb (103 kg)	198 lb (90 kg)	177 lb (80 kg)
90°F (32°C)	167 lb (76 kg)	150 lb (68 kg)	137 lb (62 kg)

AIR TEMPERATURE	WATER TEMPERATURE		
	50°F (10°C)	70°F (21°C)	80°F (27°C)
50°F (10°C)	221 lb (100 kg)	179 lb (81 kg)	171 lb (78 kg)
70°F (21°C)	218 lb (99 kg)	165 lb (75 kg)	155 lb (70 kg)
90°F (32°C)	164 lb (74 kg)	145 lb (66 kg)	130 lb (59 kg)

AIR TEMPERATURE	WATER TEMPERATURE		
	50°F (10°C)	70°F (21°C)	80°F (27°C)
50°F (10°C)	326 lb (148 kg)	295 lb (134 kg)	271 lb (123 kg)
70°F (21°C)	312 lb (142 kg)	290 lb (132 kg)	267 lb (121 kg)
90°F (32°C)	263 lb (119 kg)	240 lb (109 kg)	220 lb (100 kg)

AIR TEMPERATURE	WATER TEMPERATURE		
	50°F (10°C)	70°F (21°C)	80°F (27°C)
50°F (10°C)	330 lb (150 kg)	300 lb (136 kg)	270 lb (123 kg)
70°F (21°C)	310 lb (141 kg)	280 lb (127 kg)	260 lb (118 kg)
90°F (32°C)	280 lb (120 kg)	240 lb (109 kg)	230 lb (105 kg)

Model No	Standard Electrical	Condenser	Production 90° (70°) lb (kg)	Shipping Weight lb (kg)	Operating Weight lb (kg)	Voltage Range
IACS224	115V-60-1	Air	150 (68)	182 (82)	146 (66)	110-126V
IWCS224	115V-60-1	Water	145 (66)	182 (82)	146 (66)	110-126V
IACS227	115V-60-1	Air	240 (109)	230 (105)	198 (90)	110-126V
IWCS227	115V-60-1	Water	240 (109)	230 (105)	198 (90)	110-126V
IACS227E50	220V-50-1	Air	204 (93)	230 (105)	198 (90)	209-264V
IWCS227E50	220V-50-1	Water	204 (93)	230 (105)	198 (90)	209-264V
IACS227E60	230V-60-1	Air	240 (109)	230 (105)	198 (90)	198-253V
IWCS227E60	230V-60-1	Water	240 (109)	230 (105)	198 (90)	198-253V



For more information or to place an order, contact your sales representative or authorized distributor.

**In the US:**

Phone: 1-800-238-3600

Fax: 1-800-535-4235

**Outside the US:**

Phone: 1-763-421-6120

Fax: 1-763-422-3297